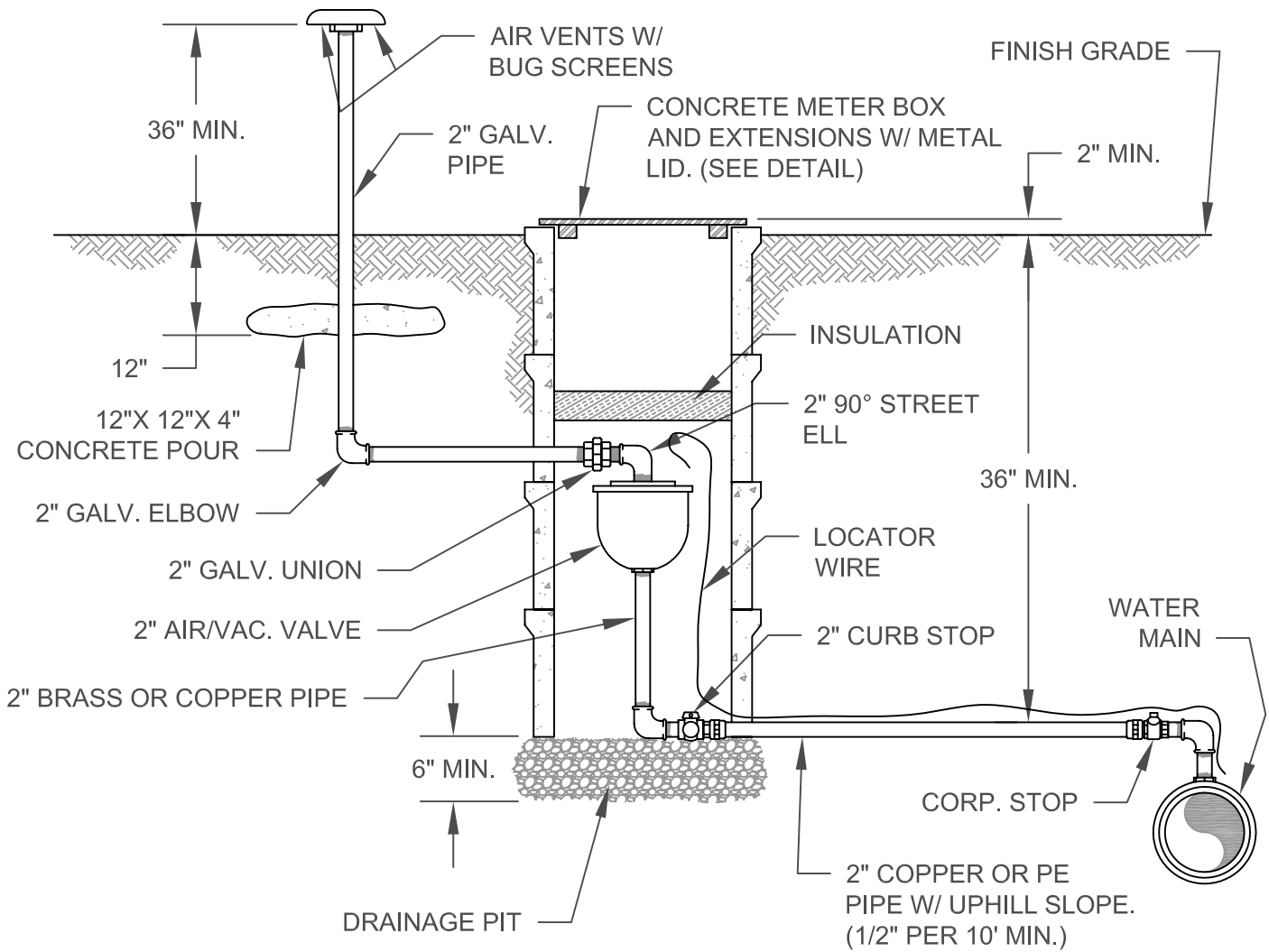
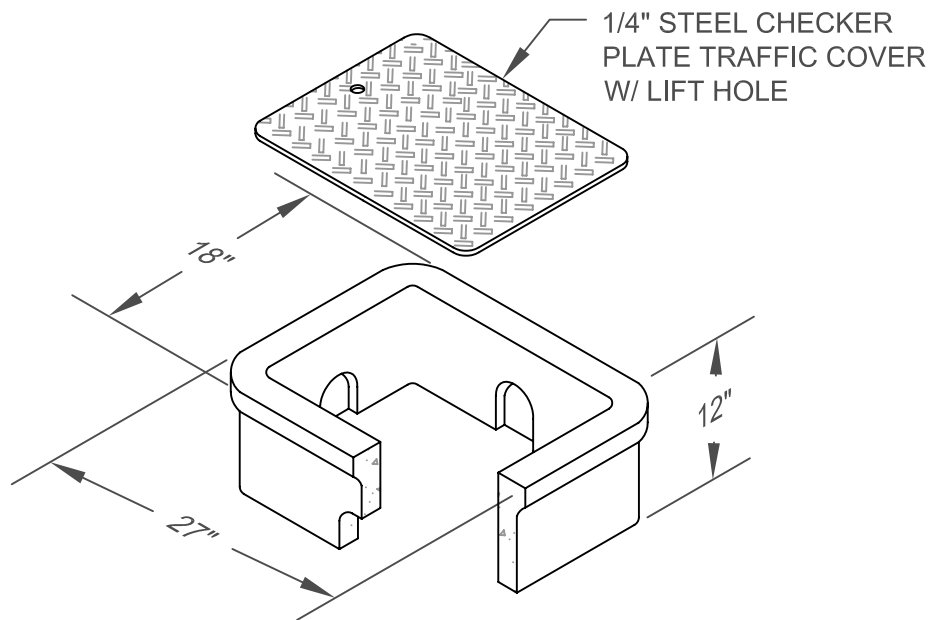


PROFILE VIEW



DETAIL



NORTHSTAR C.S.D.

COMBINATION AIR/VACUUM
VALVE DETAIL

908 NORTHSTAR DR. TRUCKEE, CA

DATE: APR. 2003

DRAWN: JW

APPROVED: MS

SCALE: NONE

DIR.: WATER

DWG. FILE: WO-13

FIGURE: **13**