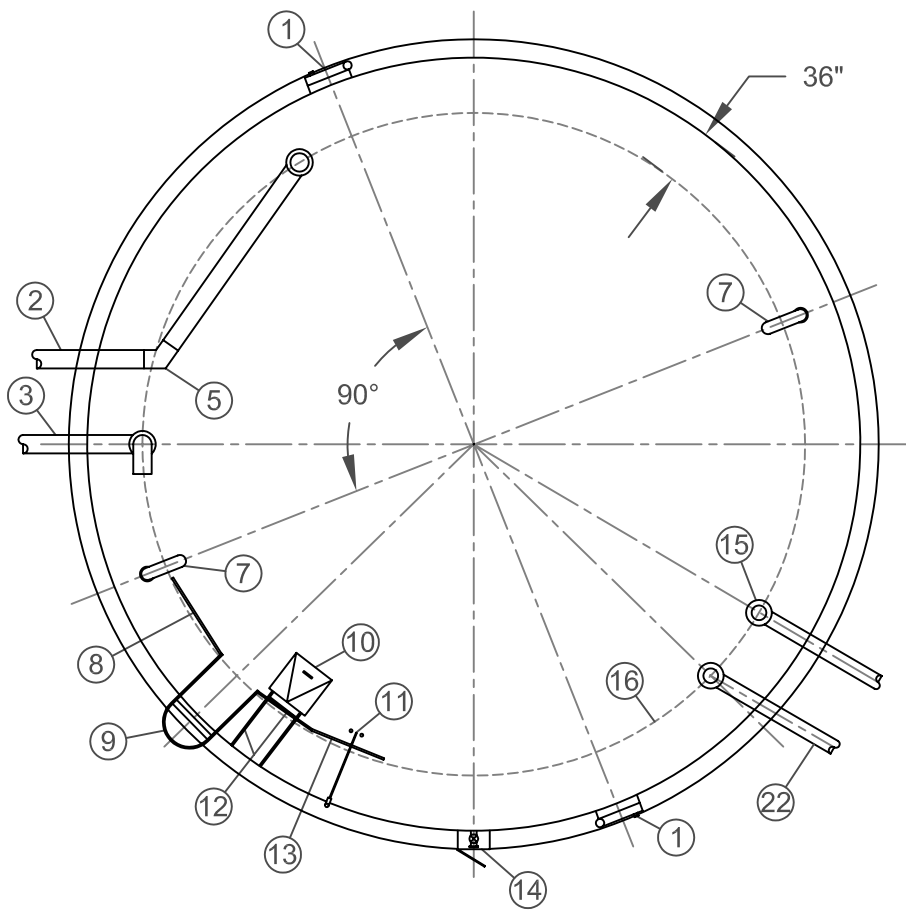
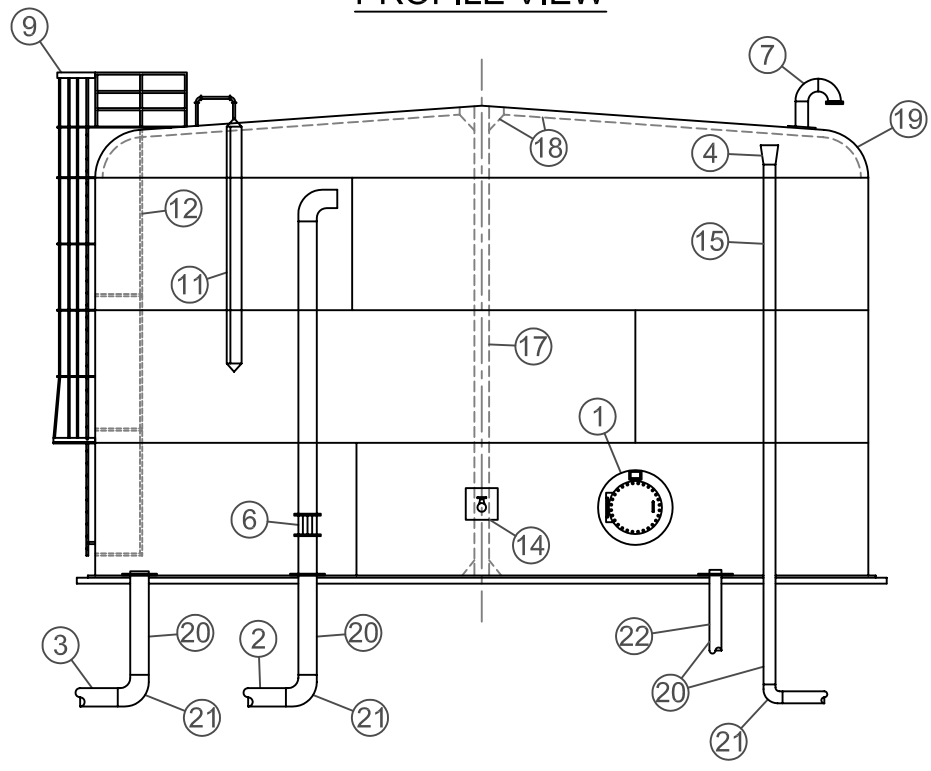


**PLAN VIEW**

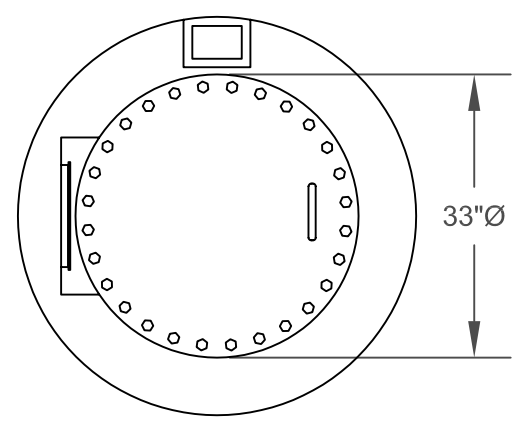


1. SHELL MANWAY (SEE DETAIL)
2. STEEL INLET
3. STEEL OUTLET
4. FLARED END
5. 45° ELBOW
6. FLEX COUPLING
7. ROOF VENT
8. 6' MIN. GUARD RAIL
9. CAGE & LADDER
10. ROOF MANWAY
11. LEVEL INDICATOR
12. INTERIOR LADDER
13. 8' MIN. GUARD RAIL
14. FIRE DEPT. CONNECTION W/ LOCKING COVER
15. INTERIOR OVERFLOW
16. EDGE OF KNUCKLE ROOF
17. CENTER COLUMN
18. ROOF SUPPORT STRUCTURE
19. KNUCKLE ROOF
20. SCH. 40 STEEL PIPE
21. STEEL ELBOW, WELDED
22. DRAIN

**PROFILE VIEW**



**DETAIL**



**NORTHSTAR C.S.D.**

DATE: APR. 2003

DIR.: WATER

TYPICAL STORAGE TANK DETAIL

DRAWN: JW

DWG. FILE: WO-18

APPROVED: MS

FIGURE: **18**

908 NORTHSTAR DR. TRUCKEE, CA

SCALE: NONE