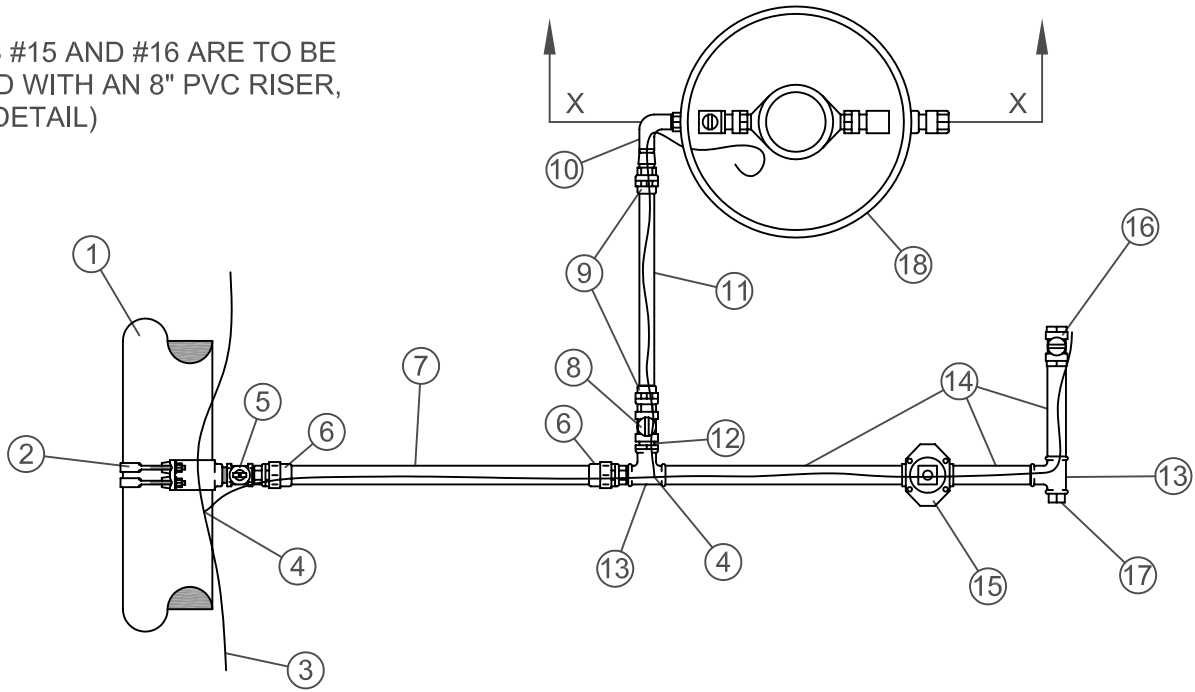


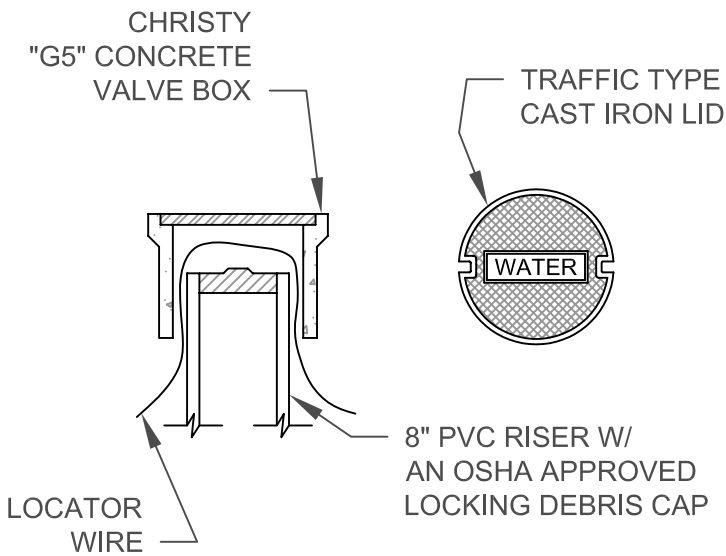
# PLAN VIEW

ITEMS #15 AND #16 ARE TO BE BOXED WITH AN 8" PVC RISER, (SEE DETAIL)

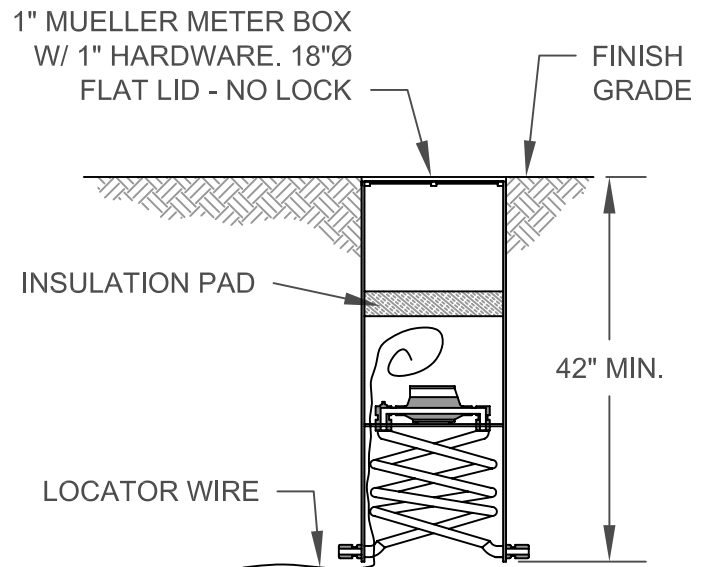


- |                           |                               |                             |
|---------------------------|-------------------------------|-----------------------------|
| 1. WATER MAIN             | 7. 2" PE OR COPPER PIPE (IPS) | 13. 2" BRASS TEE            |
| 2. 2" SERVICE SADDLE      | 8. 1" CURB BALL VALVE         | 14. 2" BRASS NIPPLE         |
| 3. LOCATOR WIRE           | 9. 1" COMPRESSION FITTING     | 15. 2" RESILIENT WEDGE G.V. |
| 4. WIRE SPLICE            | 10. 1" STREET ELL             | 16. 2" CURB BALL VALVE      |
| 5. 2" CORP. STOP          | 11. 1" PE OR TYPE "K" COPPER  | 17. 2" BRASS CAP            |
| 6. 2" COMPRESSION FITTING | 12. 2" TO 1" REDUCER          | 18. MUELLER METER BOX       |

## DETAIL



## SECTION X - X



**NORTHSTAR C.S.D.**

SINGLE SERVICE DETAIL

908 NORTHSTAR DR. TRUCKEE, CA

DATE: APR. 2003

DRAWN: JW

APPROVED: MS

SCALE: NONE

DIR.: WATER

DWG. FILE: WO-2

FIGURE: **2**