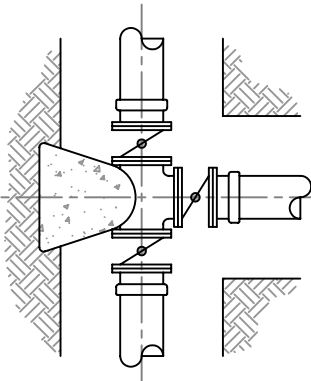
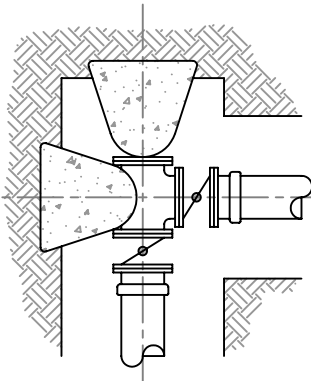
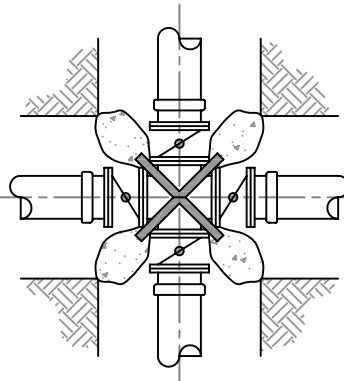
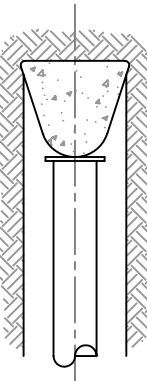
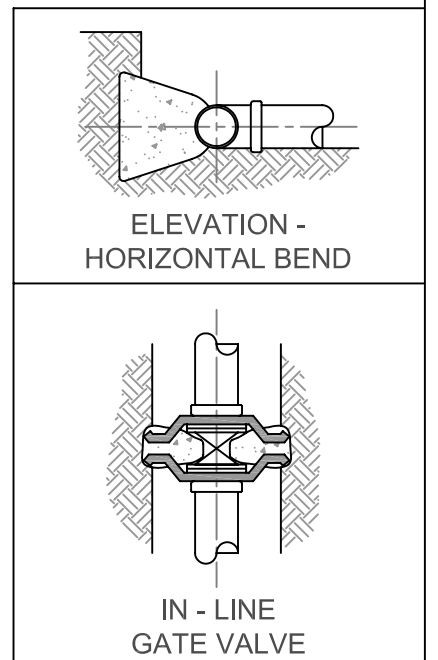


PIPE DIA. (in.)				
	TEE	TEE W/ CAP OR BLD. FL..	CROSS	END OF LINE
HORIZONTAL THRUST BLOCK BEARING AREA (S.F.)				
4 & 6	2.8	2.8	2.8	2.8
8	4.9	4.9	4.9	4.9
10	8.1	8.1	8.1	7.7
12	11.4	11.4	11.4	11.0
14	15.5	15.5	15.5	15.0
16	20.2	20.2	20.2	19.6
18	25.7	25.7	25.7	24.8
20	32.0	32.0	32.0	30.6
24	46.2	46.2	46.2	44.1
30	72.2	72.2	72.2	68.9

REBAR SIZES (EPOXY COATED OR WRAPPED)		
PIPE SIZE	Δ	REBAR
4 - 10	0 - 90°	#5
12 - 20	0 - 22-1/2°	#5
24 - 30	0 - 22-1/2°	#6
12 - 20	45°	#7
24 - 30	45°	#8
12 - 30	90°	#8



NORTHSTAR C.S.D.

THRUST BLOCK DETAILS

908 NORTHSTAR DR. TRUCKEE, CA

DATE: APR. 2003

DRAWN: JW

APPROVED: MS

SCALE: NONE

DIR.: WATER

DWG. FILE: WO-22

FIGURE: **22**