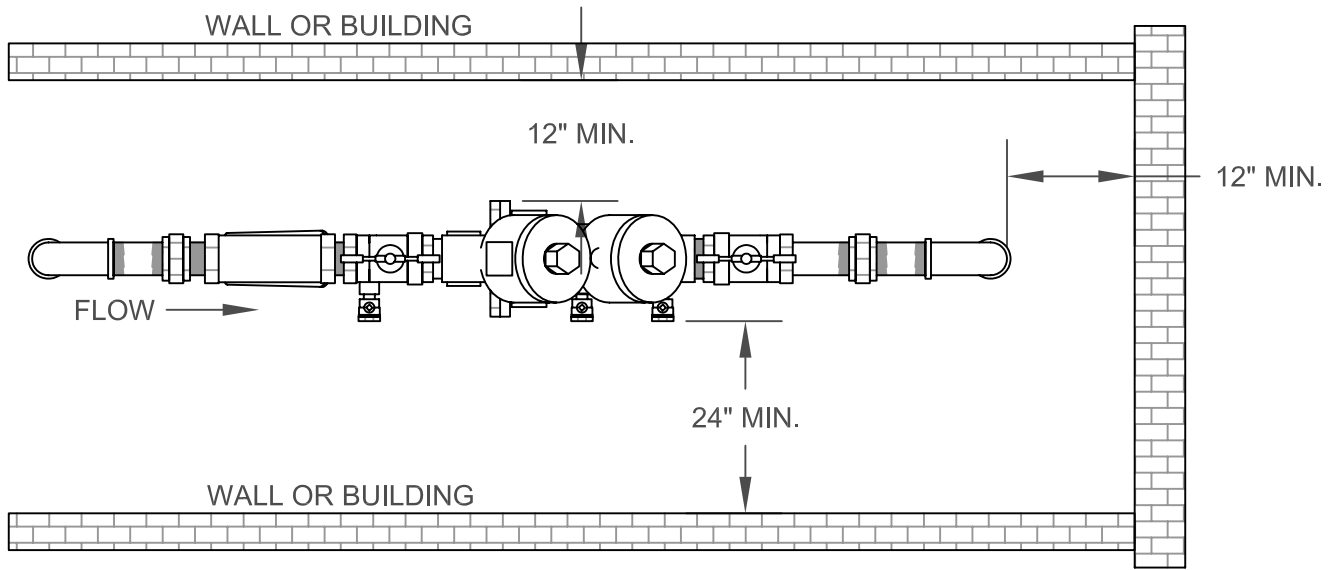
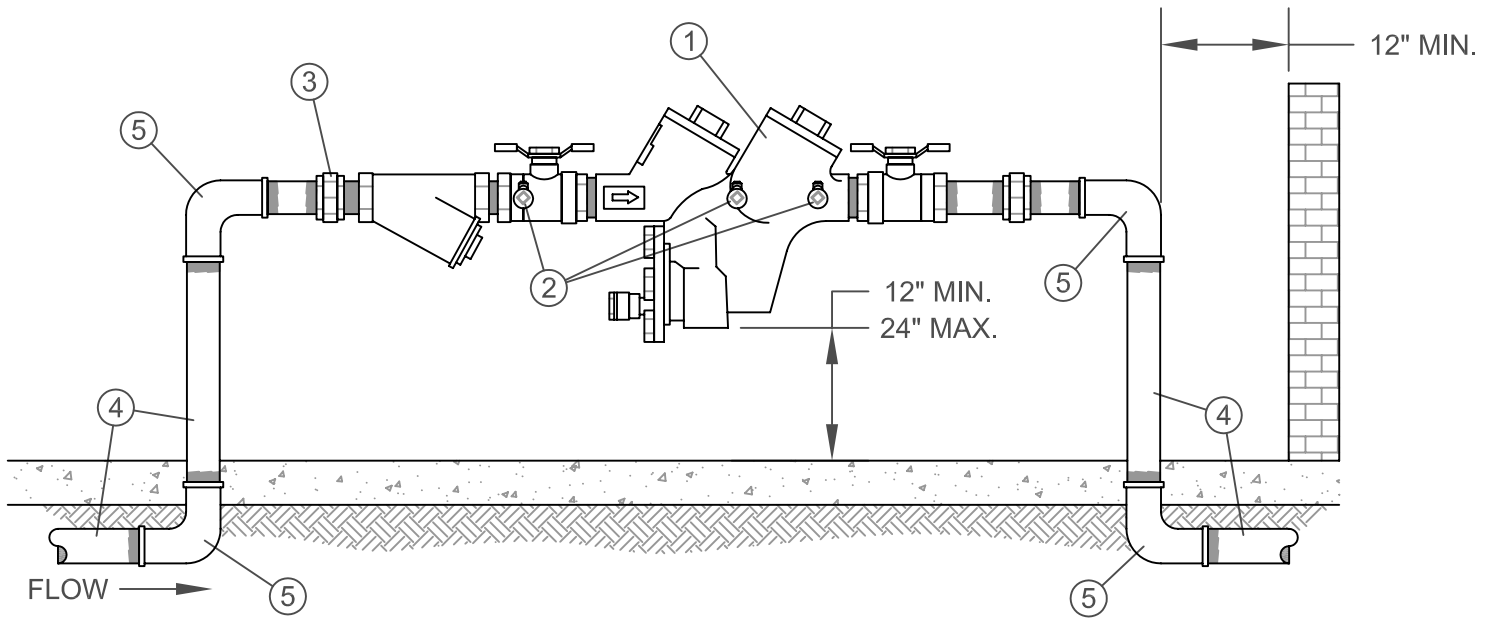


PLAN VIEW



PROFILE VIEW



- 1. APPROVED REDUCED PRESSURE BACKFLOW ASSEMBLY
- 2. TEST COCKS
- 3. BRASS UNION
- 4. TYPE "K" COPPER TUBING
- 5. COPPER ELBOW



NORTHSTAR C.S.D.

REDUCED PRESSURE BACKFLOW
ASSEMBLY (3/4" - 2")

908 NORTHSTAR DR. TRUCKEE, CA

DATE: APR. 2003

DRAWN: JW

APPROVED: MS

SCALE: NONE

DIR.: WATER

DWG. FILE: WO-26

FIGURE: **26**