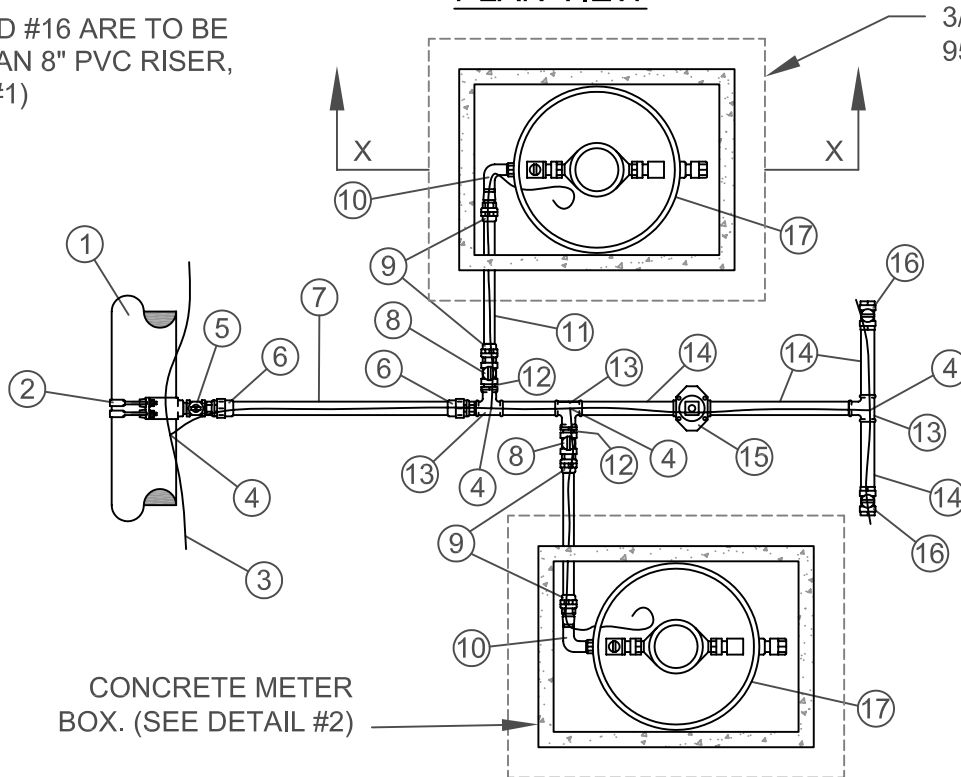


## PLAN VIEW

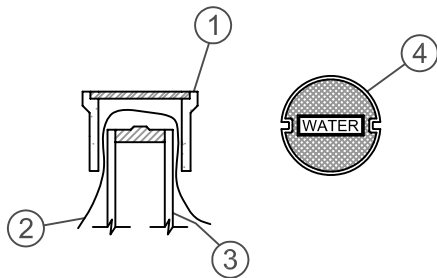
ITEMS #15 AND #16 ARE TO BE BOXED WITH AN 8" PVC RISER, (SEE DETAIL #1)

3/8" MINUS BACKFILL  
95% COMPACTION



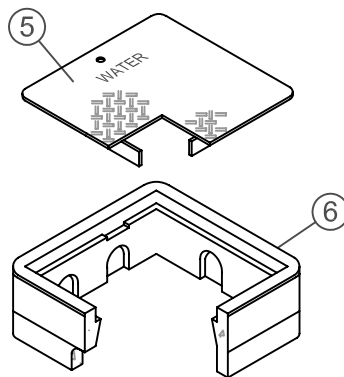
- |                           |                               |                             |
|---------------------------|-------------------------------|-----------------------------|
| 1. WATER MAIN             | 7. 2" PE OR COPPER PIPE (IPS) | 13. 2" BRASS TEE            |
| 2. 2" SERVICE SADDLE      | 8. 1" CURB BALL VALVE         | 14. 2" BRASS NIPPLE         |
| 3. LOCATOR WIRE           | 9. 1" COMPRESSION FITTING     | 15. 2" RESILIENT WEDGE G.V. |
| 4. WIRE SPLICE            | 10. 1" STREET ELL             | 16. 2" CURB BALL VALVE      |
| 5. 2" CORP. STOP          | 11. 1" PE OR TYPE "K" COPPER  | 17. MUELLER METER BOX       |
| 6. 2" COMPRESSION FITTING | 12. 2" TO 1" REDUCER          |                             |

### DETAIL #1



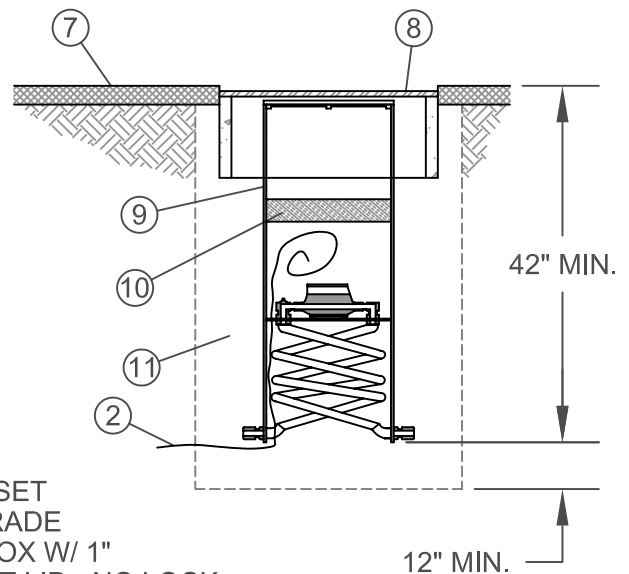
1. CHRISTY "G5" CONCRETE VALVE BOX
2. LOCATOR WIRE
3. 8" PVC RISER W/ AN OSHA APPROVED LOCKING DEBRIS CAP
4. TRAFFIC TYPE CAST IRON LID

### DETAIL #2



5. 1/4" STEEL CHECKER PLATE TRAFFIC COVER W/ LIFT HOLE. MARKED "WATER"
6. CONCRETE METER BOX
7. FINISH GRADE. 3" MIN. COMPACTED ASPHALT
8. TRAFFIC RATED BOX SET 1/2" BELOW FINISH GRADE
9. 1" MUELLER METER BOX W/ 1" HARDWARE. 18"Ø FLAT LID - NO LOCK
10. INSULATION PAD
11. 3/8" MINUS BACKFILL. 95% COMPACTION

### SECTION X - X



**NORTHSTAR C.S.D.**

DOUBLE SERVICE DETAIL FOR  
PAVED AND TRAFFIC AREAS

908 NORTHSTAR DR. TRUCKEE, CA

DATE: APR. 2003

DRAWN: JW

APPROVED: MS

SCALE: NONE

DIR.: WATER

DWG. FILE: WO-5

FIGURE:

**5**