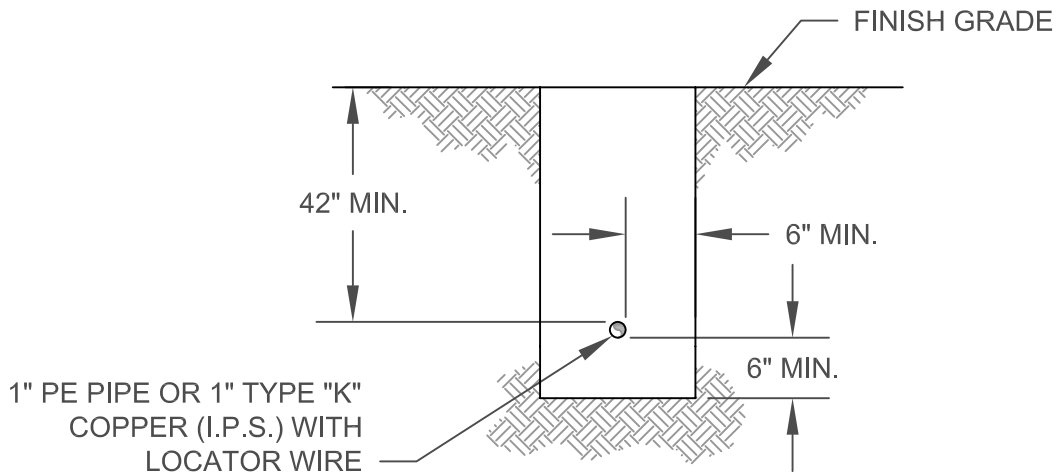
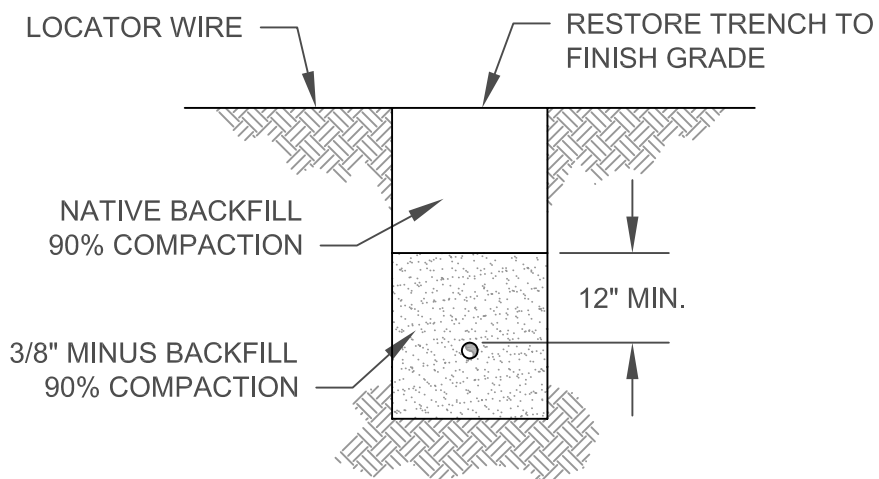


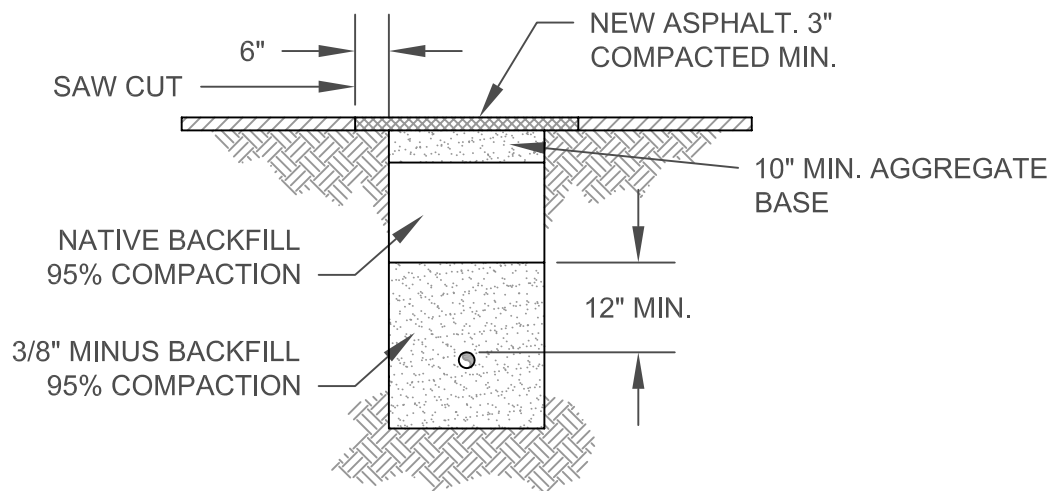
## TRENCH DIMENSIONAL LAYOUT



## UNPAVED AREAS



## PAVEMENT AREAS



**NORTHSTAR C.S.D.**

DATE: APR. 2003

DIR.: WATER

SERVICE LINE TRENCH DETAIL

DRAWN: JW

DWG. FILE: WO-6

APPROVED: MS

FIGURE:

**6**

908 NORTHSTAR DR. TRUCKEE, CA

SCALE: NONE